

Spring loaded and foot-operated, this sturdy device easily engages to provide a more secure door and easily releases to provide a ready means of escape. In fact, this patio door limiter has been tested to withstand a forced entry attempt of 400 lbs. of force.

**WARRANTY:**

Protected under the terms of the Truth Warranty for Window and Door Manufacturers and Authorized Distributors. Refer to Truth's Terms and Conditions for further details.

**MATERIAL:** Acetal body, release lever and button. Cold-rolled steel bolt.

**FINISH:** Molded in a variety of colors including 03 Bronze and 32 White. Steel bolt is zinc plated with a clear chromate finish.

**MOUNTING:** Mounts to bottom rail of sliding door and engages in sill, or into the face of the stationary door. See mounting positions "A" and "B".

**ORDERING INFORMATION & OPTIONS:**

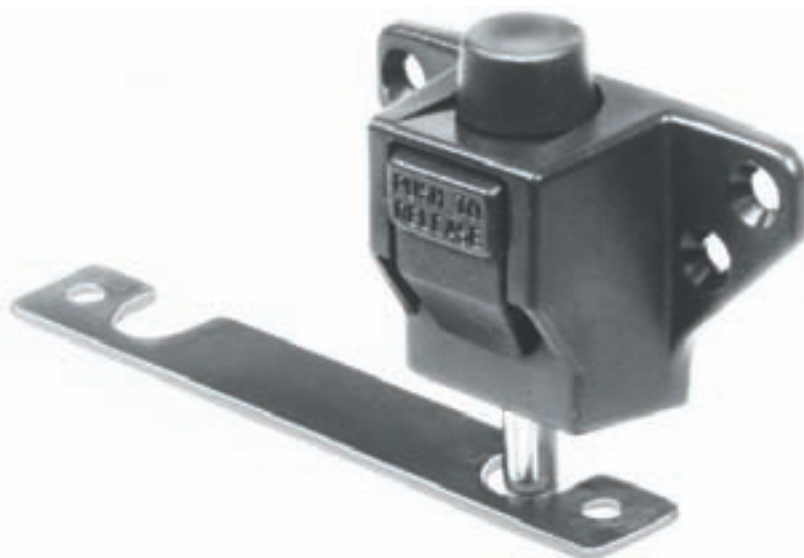
1. Choose Patio Door Limiter style desired (specify by part number).  
**#41.10** Patio Door Limiter or  
**#41.12** Patio Door Limiter (1/2" longer bolt) or  
**#41.13** Wingless Patio Door Limiter  
**#41.14** Wingless Patio Door Limiter (1/2" longer bolt).
2. Specify finish number.
3. Select keeper style which best matches your application. See drawings for further information (sold separately).

**RECOMMENDED SCREWS:**

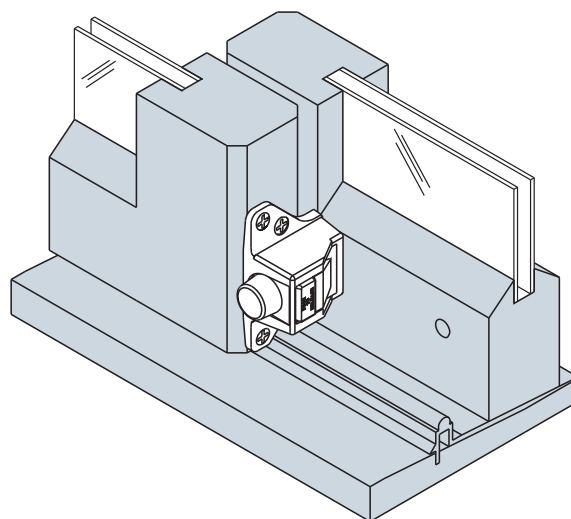
Type of screws required determined by material of profile used. Refer to drawings for complete information on screw type and quantity needed (sold separately). For additional information regarding screw selection see Tech Notes.

**INCLUDE TRUTH SPECS IN YOUR NEXT WINDOW PROJECT:**

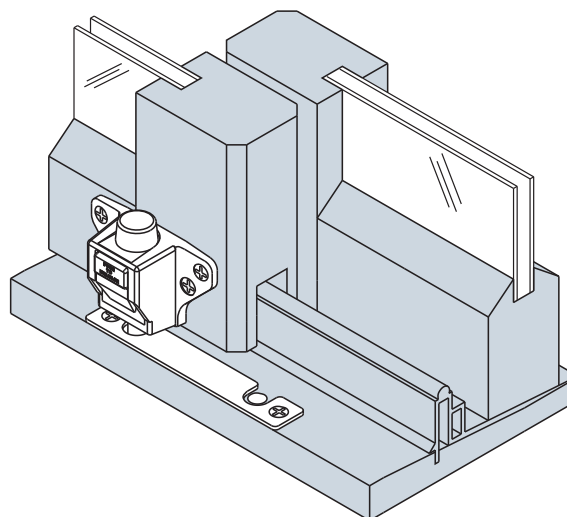
A night latch or limiting device must be provided which is foot operated and provides forced entry resistance of up to 400 lbs. Security device shall be 41 series Secondary Patio Door Limiter as manufactured by Truth Hardware, Owatonna, Minnesota.



MOUNTING POSITION A

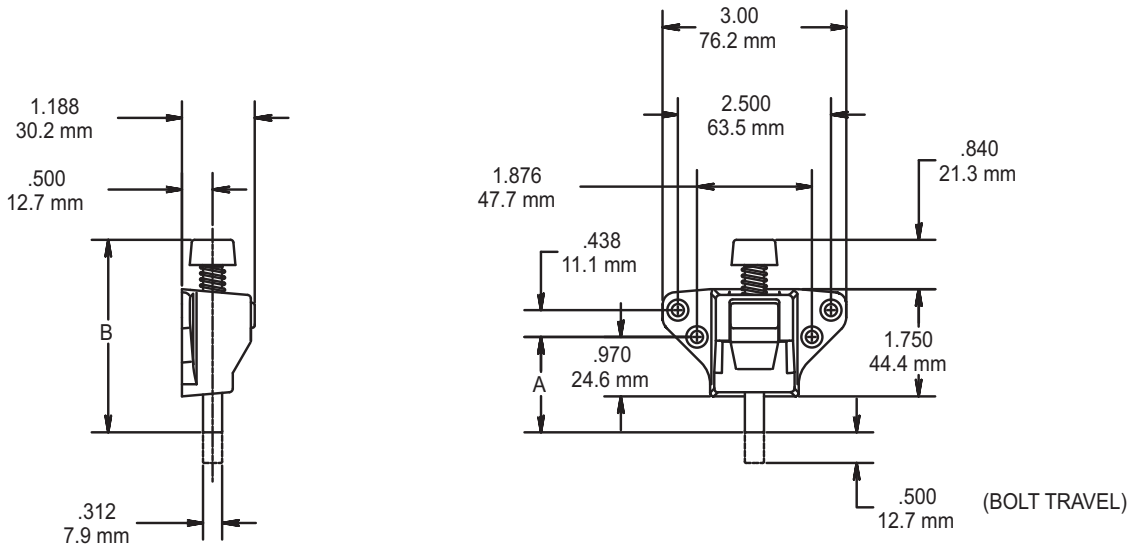


MOUNTING POSITION B



# 41 SECONDARY PATIO DOOR LIMITER

FIG. 1 SECONDARY PATIO DOOR LIMITER 41.10 AND 41.12



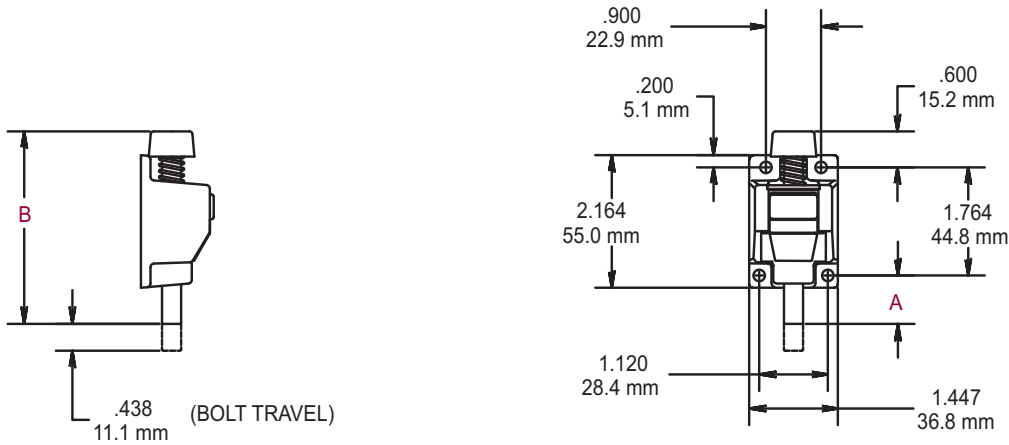
PART NO.	A	B
41.10	1.016 / 25.8mm	2.645 / 67.2mm
41.12	1.562 / 19.9mm	3.152 / 80.1mm

AVAILABLE KEEPERS
20824
30680
30672

**RECOMMENDED SCREWS:**

WOOD: 4 (P/N 19240) #8 X 1.0 PHILLIPS, FLAT HEAD, SHEET METAL SCREWS  
 PVC/METAL: 4-#8 PHILLIPS, FLAT HEAD SCREWS (LENGTHS AND THREAD TYPE TO BE DETERMINED BY PROFILE)

FIG. 2 SECONDARY PATIO DOOR LIMITER 41.13 AND 41.14



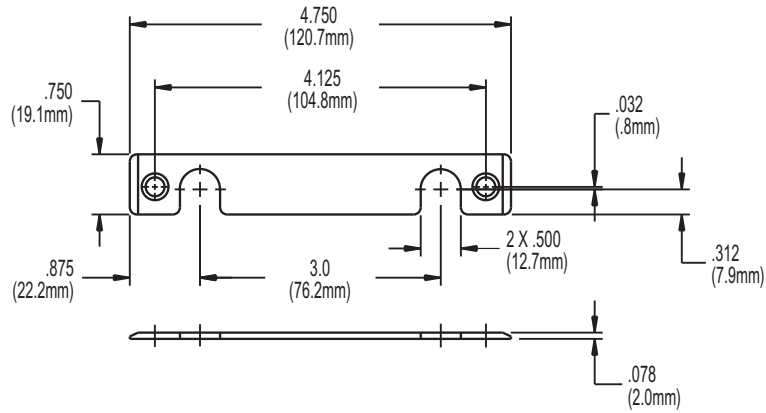
PART NO.	A	B
41.13	.284 / 7.2mm	2.650 / 67.3mm
41.14	.790 / 20.0mm	3.150 / 80.0mm

AVAILABLE KEEPERS
20824
30680
30672

**RECOMMENDED SCREWS:**

WOOD: 4 (P/N 19240) #8 X 1.0 PHILLIPS, FLAT HEAD, SHEET METAL SCREWS  
 PVC/METAL: 4-#8 PHILLIPS, FLAT HEAD SCREWS (LENGTHS AND THREAD TYPE TO BE DETERMINED BY PROFILE)

FIG. 3 KEEPER 20824

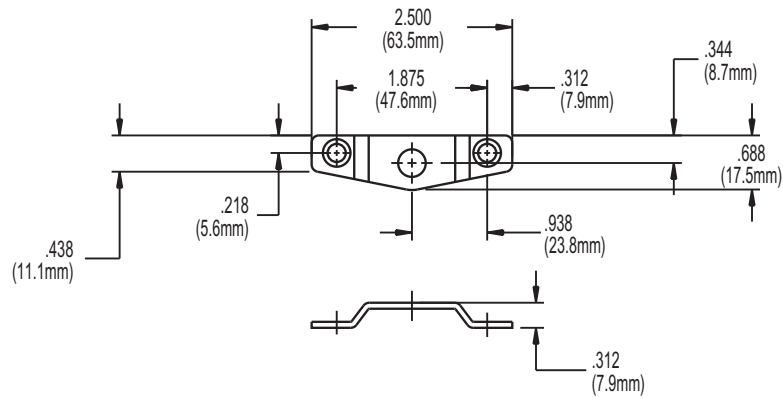


RECOMMENDED SCREWS:

WOOD: 2 (P/N 19240) #8 X 1.0 PHILLIPS, FLAT HEAD, SHEET METAL SCREWS

PVC/METAL: 2 - #8 PHILLIPS, FLAT HEAD SCREWS (LENGTH AND THREAD TYPE TO BE DETERMINED BY PROFILE)

FIG. 4 KEEPER 30672

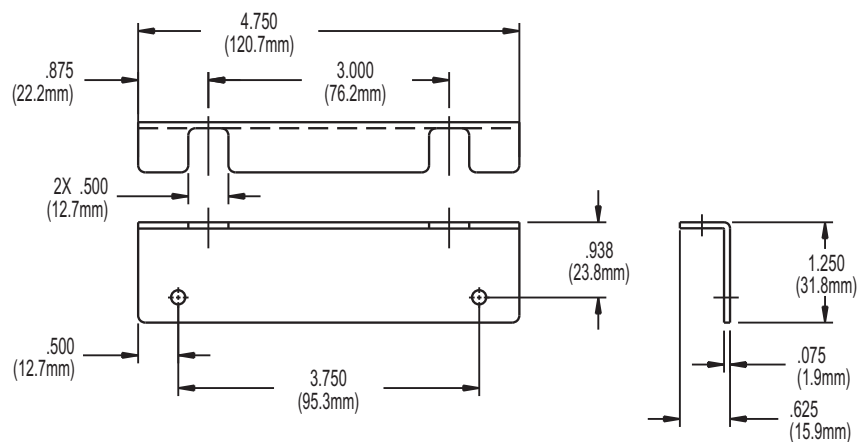


RECOMMENDED SCREWS:

WOOD: 2 (P/N 19380) #8 X 1.0 PHILLIPS, FLAT HEAD, SHEET METAL SCREWS

PVC/METAL: 2 - #8 PHILLIPS, FLAT HEAD SCREWS (LENGTH AND THREAD TYPE TO BE DETERMINED BY PROFILE)

FIG. 5 KEEPER 30680

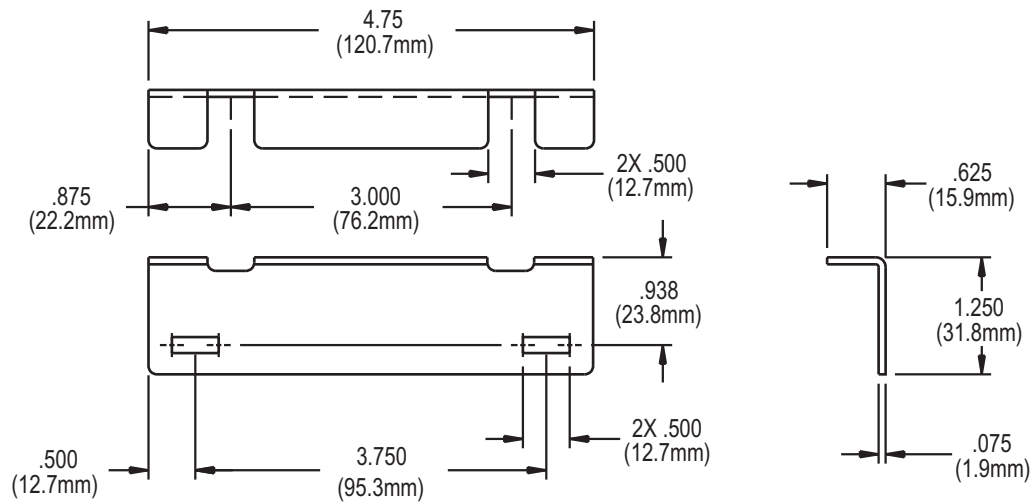


RECOMMENDED SCREWS:

WOOD: 2 (P/N 19230) #8 X 1.0 PHILLIPS, PAN HEAD, SHEET METAL SCREWS

PVC/METAL: 2 - #8 PHILLIPS, PAN HEAD SCREWS (LENGTH AND THREAD TYPE TO BE DETERMINED BY PROFILE)

FIG. 6 KEEPER 31725

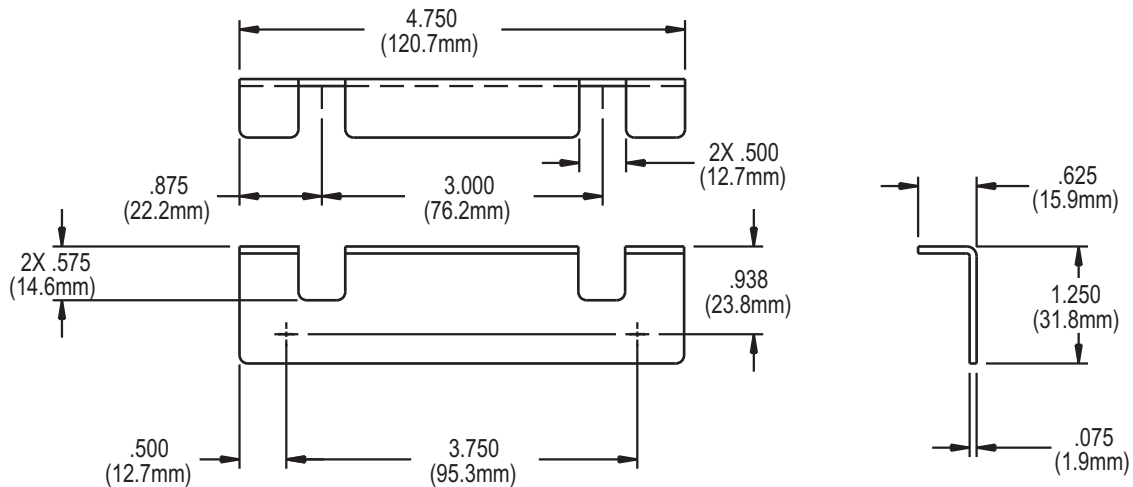


**RECOMMENDED SCREWS:**

WOOD: 2 (P/N 19230) #8 X 1.0 PHILLIPS, PAN HEAD, SHEET METAL SCREWS

PVC/METAL: 2 - #8 PHILLIPS, PAN HEAD SCREWS (LENGTH AND THREAD TYPE TO BE DETERMINED BY PROFILE)

FIG. 7 KEEPER 31756



**RECOMMENDED SCREWS:**

WOOD: 2 (P/N 19230) #8 X 1.0 PHILLIPS, PAN HEAD, SHEET METAL SCREWS

PVC/METAL: 2 - #8 PHILLIPS, PAN HEAD SCREWS (LENGTH AND THREAD TYPE TO BE DETERMINED BY PROFILE)